

LEDlites

S Y S T E M S C O R P O R A T I O N

Long life span
50,000
hours

Energy saving 
10
Watts

High brightness 
1000
Lumens

Easy installation


Beaming angle
270°-360°


Waterproof

IP67

Anti-UV

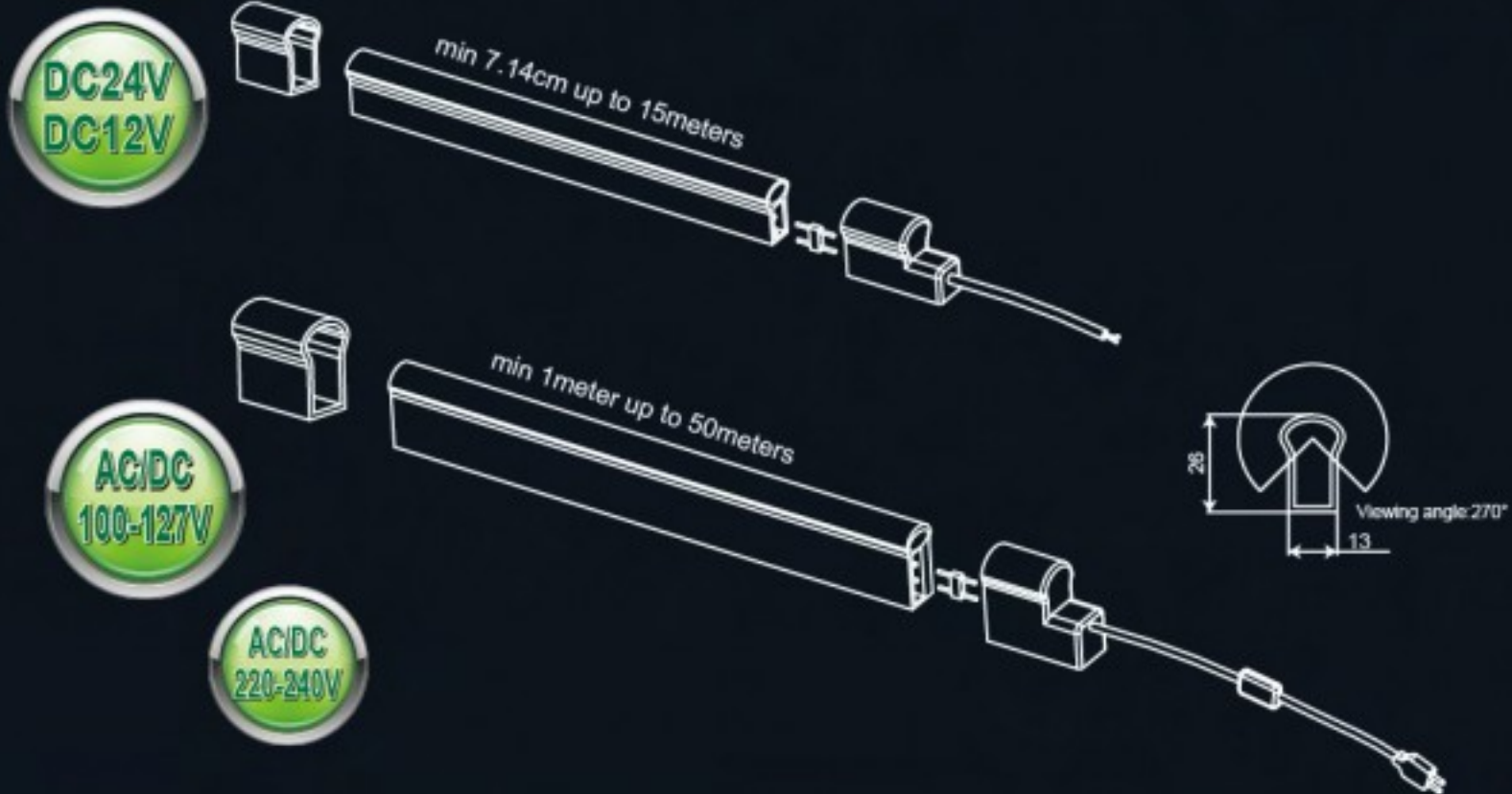


SMD LED NEON-STRIP



IP68

Standard SMD LED NeonStrip



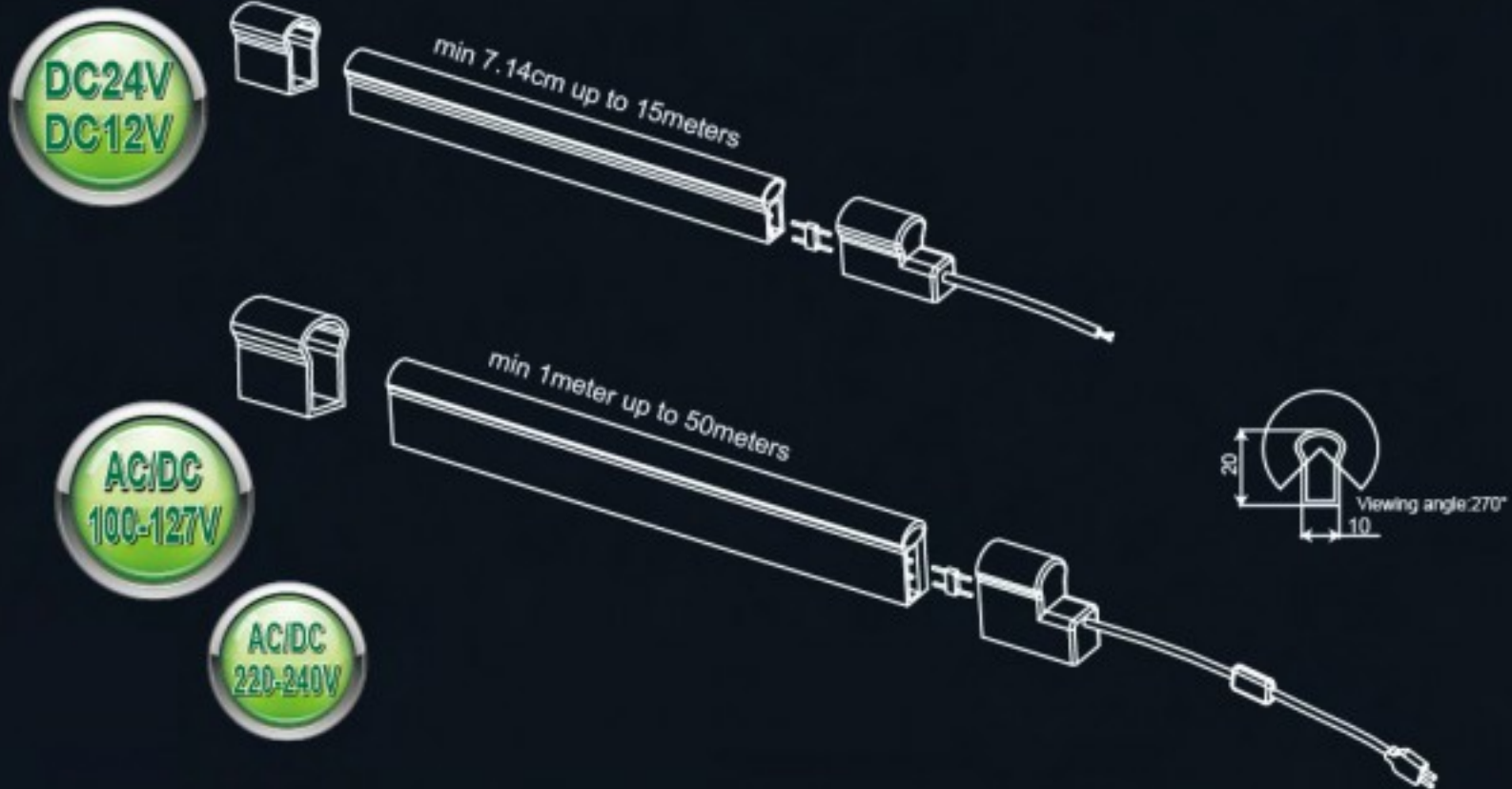
SMD LED NEON STRIP

Item No.:	NS-NF2835-A	NS-NF2835-D	NS-NF5050-A	NS-NF5050-D
LED Type	SMD2835	SMD2835	SMD5050	SMD5050
LED No./meter:	120pcs	84pcs	72pcs	72pcs
Voltage:	100-130V or 220-240V	DC24V	100-130V or 220-240V	DC24V
Power/meter:	12W	15W	12W	15W
Cross Section:	13X26mm	13X26mm	13X26mm	13X26mm
Length in Roll	50meters	15meters	50meters	15meters
Max. Loading:	50meters	15meters	50meters	15meters
IP Rating:	IP67	IP67	IP67	IP67
Cutting Unit:	0.5m /1m	7.14cm	0.5m /1m	8.3cm
Led Color:	White, Warm White, Red, Green, Blue, Pink, Purple			

Accessories:

1. Stripdriver for main voltage LED neon flex and LED strip
2. RF/IR remote controller or DMX control system for RGB LED neon flex
3. Power cord, front connector, connector, end cap, U channel, and glue

Mini SMD LED NeonStrip



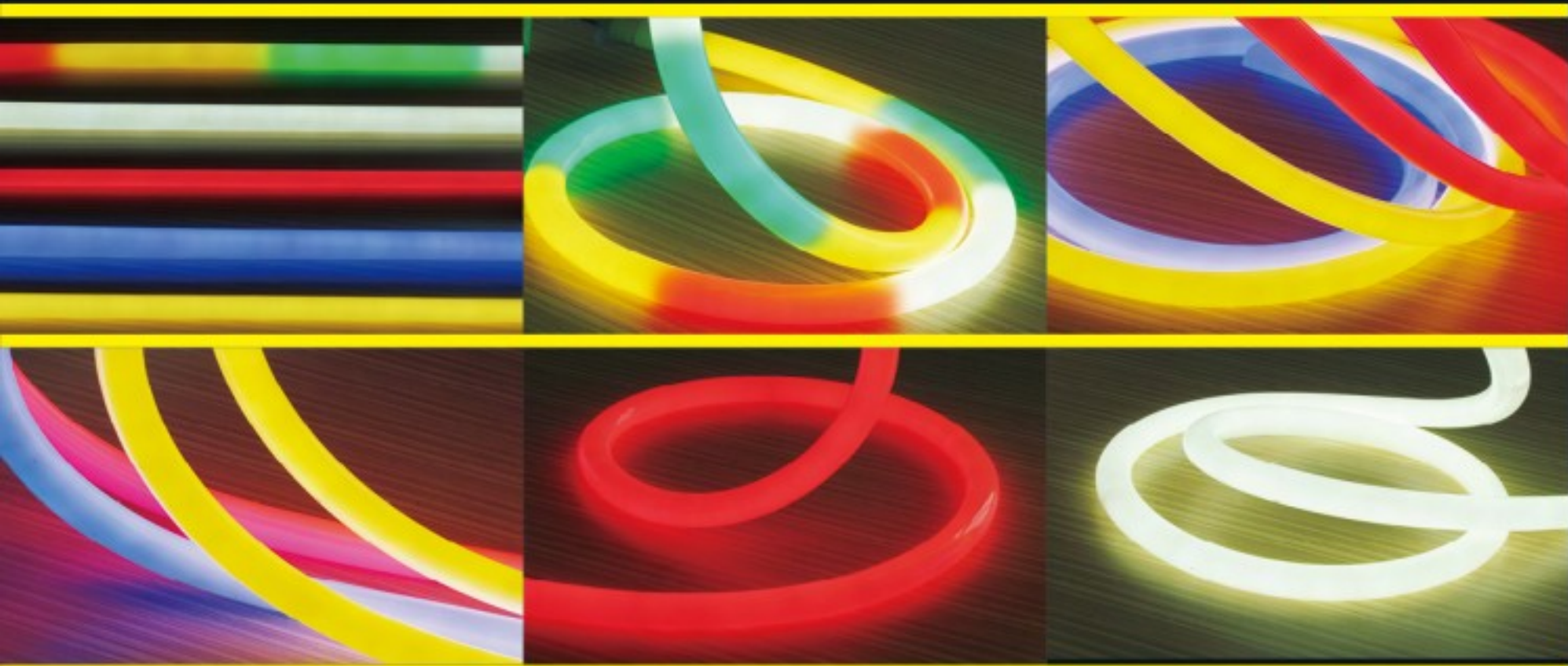
SMD LED NEON STRIP

Item No.:	NS-NF2835-A	NS-NF2835-D	NS-NF5050-A	NS-NF5050-D
LED Type	SMD2835	SMD2835	SMD5050	SMD5050
LED No./meter:	120pcs	84pcs	72pcs	72pcs
Voltage:	100-130V or 220-240V	DC24V	100-130V or 220-240V	DC24V
Power/meter:	12W	15W	12W	15W
Cross Section:	10X20mm	10X20mm	10X20mm	10X20mm
Length in Roll	50meters	15meters	50meters	15meters
Max. Loading:	50meters	15meters	50meters	15meters
IP Rating:	IP67	IP67	IP67	IP67
Cutting Unit:	0.5m /1m	7.14cm	0.5m /1m	8.3cm
Led Color:	White, Warm White, Red, Green, Blue, Pink, Purple			

Accessories:

1. Stripdriver for main voltage LED neon flex and LED strip
2. RF/IR remote controller or DMX control system for RGB LED neon flex
3. Power cord, front connector, connector, end cap, U channel, and glue

R-Shaped SMD LED NeonStrip



1. 320°/360° View Angle
2. Optical PVC housing , better lighting effect; UV-resistant
3. Pre-built tinned copper wire
4. FPC made of rolled copper
5. DC220V/110V StripDriver, NOT AC
6. IP Rating: IP65
7. Light source: SMD2835, better heat dissipation
8. Front connector
9. End cap



SMD LED NeonStrip RGB



DC24V
DC12V

AC/DC
220-240V

AC/DC
100-127V

SMD LED NEON STRIP

Item No.:	NS-NF5050-DRGB	NS-NF5050-RGB-R
LED Type	SMD5050	SMD5050
LED No./meter:	72pcs	72pcs
Voltage:	24V DC	24V DC
Power/meter:	15W	15W
Cross Section:	13x26mm	13x26mm
Length in Roll	15meters	15meters
Max. Loading:	15meters	15meters
IP Rating:	IP67	IP67
Cutting Unit:	8.3CM, 6LEDs	8.3CM, 6LEDs
Led Color:	RGB-Colors change	RGB-Colors moving

Accessories:

1. Stripdriver for main voltage LED neon flex and LED strip
2. RF/IR remote controller or DMX control system for RGB LED neon flex
3. Power cord, front connector, connector, end cap, U channel, and glue

